



03-nov-06

WIREFREE Roll up 30 RTS TECHNICAL DATA

DMKI - FPTE

DC range -WIREFREE Range

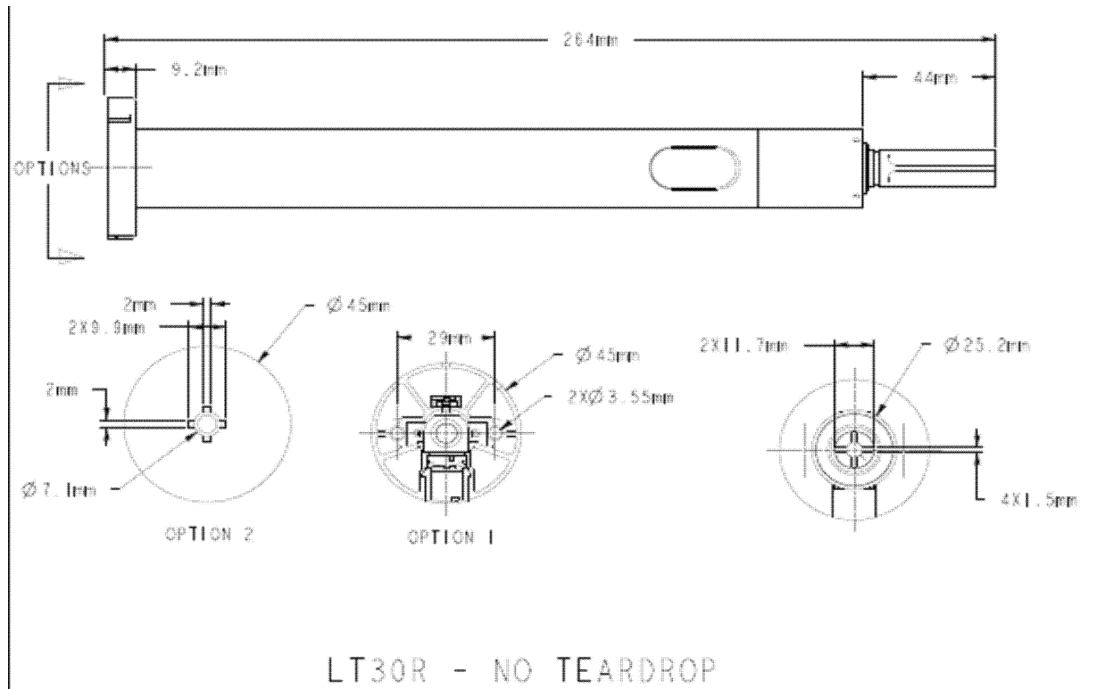
Nominal voltage (VDC)	12	
Power supply tolerances (VDC)	9 To 14	
Batteries	8 * battery cells L91 Energizer (Lithium)	
Thermal time	150" (2.5')	
Type of limit switch unit	Electronic (magnetic)	
Capacity of the LSU	80 turns	
Repeatability	± 5°	
Radio frequency	433,42 MHz	
Radio protocol	U56	
Capacity of memory	12 Transmitters	
Antenna	Wire 19 cm going out of the head (must not be cut or lengthened).	
Range	20 m with 2 reinforced concrete walls to be passed through	
Service stress	Antenna out of the rolling area	
Interface drawing	Motor interface drawings N° Plan indicé + version	
	Screw interface drawing N° Plan indicé ou Plan d'interface du moteur tolérancé pour les clients qui souhaitent développés leurs accessoires	
	Crown interface drawing	
	Drive interface drawing	
Electromagnetic compatibility	CEI 1000-4-2	8kV
	CEI 1000-4-3	10V/m
	CEI 1000-4-4	4kV
	CEI 1000-4-5	3kV
	CEI 1000-4-6	3V/m
	CEI 1000-4-8	3A/m
Standard	FCC Part 15	
Radio	EN 300-220-3	
Temperature working range	EN55014, EN 55022	
Noise level	Normal use : 0°C to +60°C Exceptionnal use (20% of the life time not continuous) : -20°C to + 70°C According to SOMFY measures (for information only).Worse value : in load up direction during 10 seconds.	

Designation	Nm	rpm	rpm	rpm	rpm	A	mm	kg	dB		
	Nominal Torque (Nm) (Inch/Lb)	UP Speed at No Load (rpm)	UP Speed at Nominal Torque (rpm)	Down Speed at No Load (rpm)	Down Speed at Nominal Torque (rpm)	Stall torque (Nm)	Current at Nominal Torque (A)	Minimum Tube Inside Diameter (mm)	Brake type	Weight (Kg)	Noise (dBA)
Wirefree Roll up 30	1,13	43	27	44	52	1,5	1	30	Magnetic	0,22	50 to 56
	10										To be confirmed
FOR 12VDC											



03/11/2006 **WIREFREE Roll up 30 RTS TECHNICAL DATA**

DC range -WIREFREE Range



R & D		QUALITY		AUTHOR	
Name Francis VALOTEAU		Name Sergio GARCIA		Name Christelle GRANIER	
Date	Visa	Date	Visa	Date	Visa